

Current transformer type CT-20, class 1

Precise and efficient

- Can be used with operational currents up to max. 63 A and for residual currents from 1 mA to 1,000 mA acc. type A
- Compact construction
- Ratio 700/1
- Primary window can be used for insulated cable \varnothing 7.5 mm (max.)
- For use on a 3-phase circuit breaker with a phase spacing of 17.5 mm
- DIN rail mounting (35 mm) via rail clamps (optional)
- Special version for the monitoring device UMG 20CM



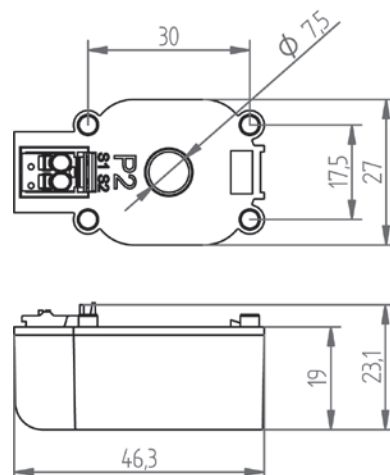
Technical data



Dimension diagrams

All dimensions in mm

Current transformer CT-20	
Environmental conditions	
Position of installation	Indoor usage; only for insulated conductors
Ambient temperature	-10 ... +55 °C
Relative humidity	5 ... 85 % (no condensation)
Protection class	IP20
Application conditions	
Measuring accuracy	1 %
Thermal short time rated current	$60 \times I_n / 1 \text{ s}$
Thermal continuous current	100 %
Rated isolation level	0.72 / 3 / kV
Rated frequency	50 / 60 Hz
Insulation class	E (120 °C)
Cable feed through window	\varnothing 7.5 mm
Secondary conductor	Wire cross section: 0.2 ... 1.5 mm ² Rigid, flexible, spring type terminal



Current transformer CT-20 – operating or differential current transformer type A								
Operating or residual current CT type A	Max. operating current in A	Residual current in mA	Transformation ratio	Max. diameter, primary conductor in mm	Class	Dimensions in mm (W x H x D)	Weight (kg)	Item no.
CT-20	63 (with burden)	10 ... 1000	700/1	7.5	1	27 x 46 x 23	0.05	15.03.082
Accessories								
Mounting clip	For DIN rail EN 50022-35, suitable for type CT-20					41 x 14 x 27	0.001	09.09.010
Ready-made connection cable	1.5 m with burden (0,8 Ω) and spring type terminal adapter for operating current measurement							15.03.085