

Split-core current transformer SC-CT-20, class 1

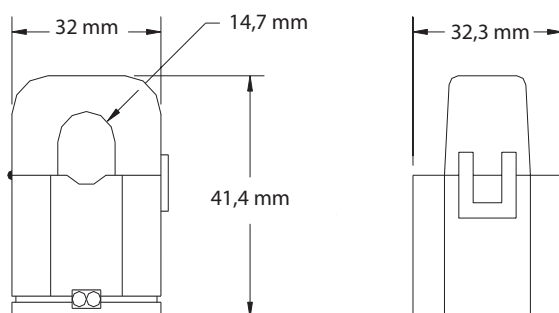
Innovative and flexible

- Compact, divisible, split-core current transformer
- Separable current transformer up to max. 63 A especially for retrofitting
- Transformation ratio 3,000/1
- Primary window can be used for insulated cable up to \varnothing 10 mm
- Special version for the UMG 20CM branch circuit monitoring device



Dimension diagrams

All dimensions in mm



Technical data

Environmental conditions	
Position of installation	Indoor usage; only for insulated conductors
Ambient temperature	-10 ... +55 °C
Protection class	IP20
Application conditions	
Measuring accuracy	1 %
Thermal continuous current	100 %
Insulation resistance	100 MOhm
Rated frequency	50 / 60 Hz
Max. frequency	20 – 1000 Hz
Secondary conductor	Wire cross section: 0.75 mm ² Rigid, flexible

Split-core current transformer SC-CT-20								
Type	Max. operating current (A)	Transformation ratio	Max. primary conductor diameter in mm	Class	Class	Dimensions in mm (W x H x D)	Weight (kg)	Item no.
SC-CT-20*	63	3,000/1	10	1	1	32 x 41.4 x 32.3	0.04	15.03.092
Individual accessory (load is included the scope of the SC-CT-20 delivery)								
Burden (3.9 Ω) for operating current monitoring with the SC-CT-20 with 1.5 m ready-made connection cable and spring type terminal adapter								15.03.086

* Incl. ready-made connection cable; 1.5 m with burden and spring type terminal adapter for operating current measurement

Basic Information for the use of current transformer can be found in chapter 10.