

Moulded case current transformers class 1 ... / 5 A

General properties, type ASK

- Unbreakable plastic housing
- Polycarbonate black
- Flame retardant
- Self-extinguishing
- Transformer housing ultrasonically welded
- Nickel-plated secondary terminals with plus/minus M 5 x 8 mm screw, tightening torque max. 2 Nm
- Integrated secondary closure flap
- Connection cross section: max 4 mm² with wire end ferrule, 6 mm² solid

General properties, type CTB

- UL certified
- World's first current transformer with screwless connection technology – spring-loaded terminal block
- Innovative, time-saving connection option (front or top) for solid and flexible conductors (max. 4 mm² – wire end ferrules are not necessary)
- Shock and vibration resistant, high mechanical holding forces
- Maintenance-free, gas-tight connection
- High current resistance
- Therm. rated continuous current I_{cth}: 1.2 x I_N
- Low-voltage current transformer for max. operating voltages up to 1.2 kV; use in 690 V networks possible



Technical data

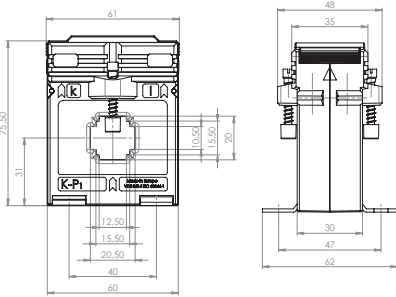
Device overview, moulded case current transformers class 1 ... / 5 A secondary current*							
Type	Primary current in A	Power in VA	Primary conductor	Round conductor in mm	Overall width in mm	Weight (kg)	Item no.
ASK 21.3	75	2.5	20 x 10	19.2	61	0.31	15.03.206
ASK 21.3	80	2.5	20 x 10	19.2	61	0.32	15.03.207
ASK 21.3	100	3.75	20 x 10	19.2	61	0.26	15.03.208
ASK 31.5	75	1.5	30 x 10; 20 x 10	28	61	0.45	15.03.270
CTB 31.35	100	2.5	30 x 10; 25 x 12; 20 x 20	25.7	60	0.23	15.03.272
CTB 31.35	150	2.5	30 x 10; 25 x 12; 20 x 20	25.7	60	0.23	15.03.273
CTB 31.35	200	2.5	30 x 10; 25 x 12; 20 x 20	25.7	60	0.23	15.03.274
CTB 31.35	250	5	30 x 10; 25 x 12; 20 x 20	25.7	60	0.23	15.03.275
CTB 31.35	300	5	30 x 10; 25 x 12; 20 x 20	25.7	60	0.23	15.03.276
CTB 31.35	400	5	30 x 10; 25 x 12; 20 x 20	25.7	60	0.23	15.03.277
CTB 31.35	500	5	30 x 10; 25 x 12; 20 x 20	25.7	60	0.23	15.03.278
ASK 31.3	600	5	30 x 10; 20 x 20	26	61	0.25	15.03.279
CTB 41.35	800	5	40 x 10; 30 x 15	31.8	70	0.30	15.03.280
CTB 41.35	1000	5	40 x 10; 30 x 15	31.8	70	0.30	15.03.281
CTB 51.35	1250	5	50 x 12; 40 x 30	43.7	85	0.35	15.03.282
CTB 61.35	1500	5	63 x 10; 50 x 30	43.7	95	0.35	15.03.283
CTB 81.35	1500	10	80 x 10; 60 x 30	54.7	120	0.35	15.03.284
CTB 81.35	1600	10	80 x 10; 60 x 30	54.7	120	0.35	15.03.285
CTB 81.35	2000	10	80 x 10; 60 x 30	54.7	120	0.38	15.03.286
CTB 101.35	2500	10	100 x 10; 80 x 30	70	130	0.40	15.03.287
Accessories							
Mounting clip for CTB design							15.02.140
Mounting clip for ASK 31.5 design							15.02.141
Mounting clip for ASK 31.3 design							15.02.151



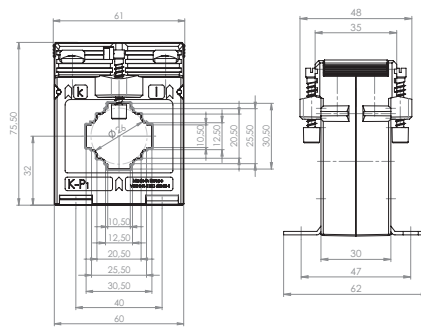
Dimensional drawings

All specifications in mm

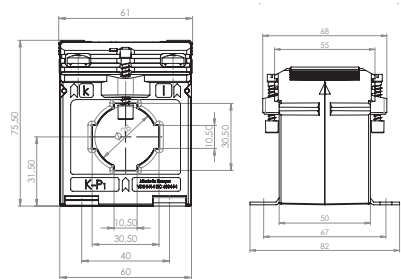
ASK 21.3



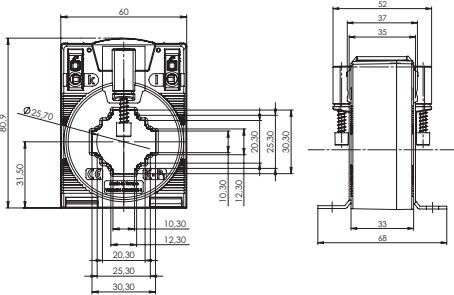
ASK 31.3



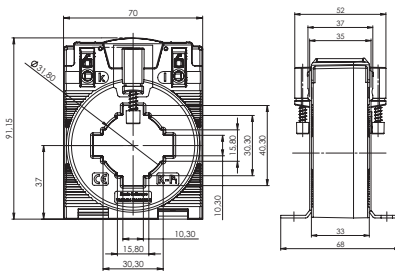
ASK 31.5



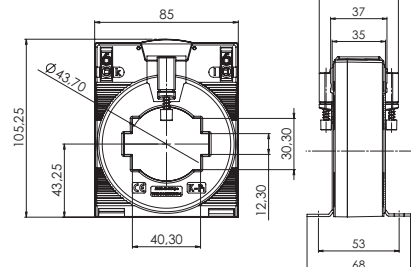
CTB 31.35



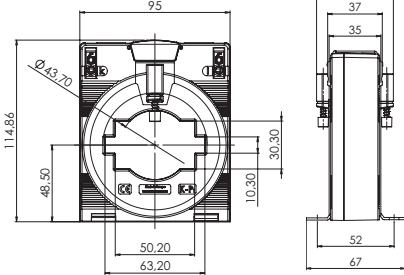
CTB 41.35



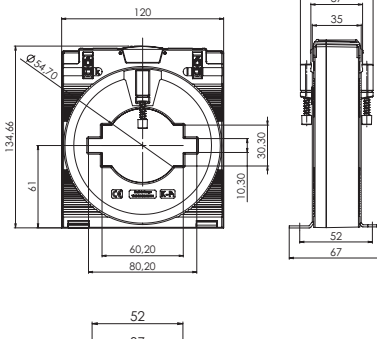
CTB 51.35



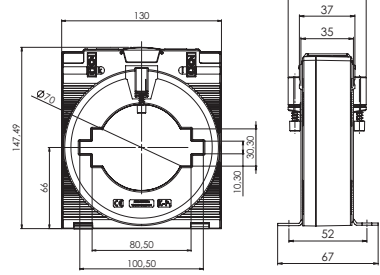
CTB 61.35



CTB 81.35



CTB 101.35



Basic information on the use of current transformers can be found in chapter 10.